

### CDD10RD-S CDD12RD-S Electric Stacker with Initial Lift

#### Characteristics

- Compact design with a very small turning radius offers a range of application option in very confined space.
- Mast with excellent visibility is assembled on the truck.
- The truck adopts 4- points support structure, side positioned tiller and low center of gravity design which featuring excellent stability.
- Double pallet design: two pallet can be handled at one time; initial lift of load leg increases ground clearance to facilitate traffic ability on ramps, dock levelers and bridge .
- Vertical driving wheel offers small turning radius; dustproof waterproof motor is easy for maintenance.
- High efficient electromagnetic parking brake offers good ramp braking performance.
- Low voltage protection setting prolongs the battery life.
- Height adjustable balance wheel ensures the drive wheel life.



Mast with excellent visibility for wide view of the forks .



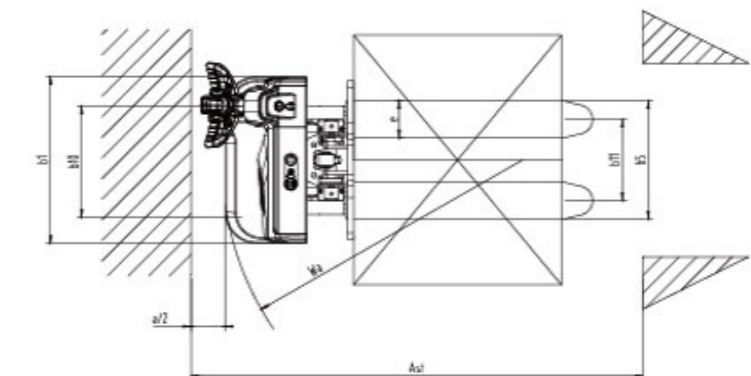
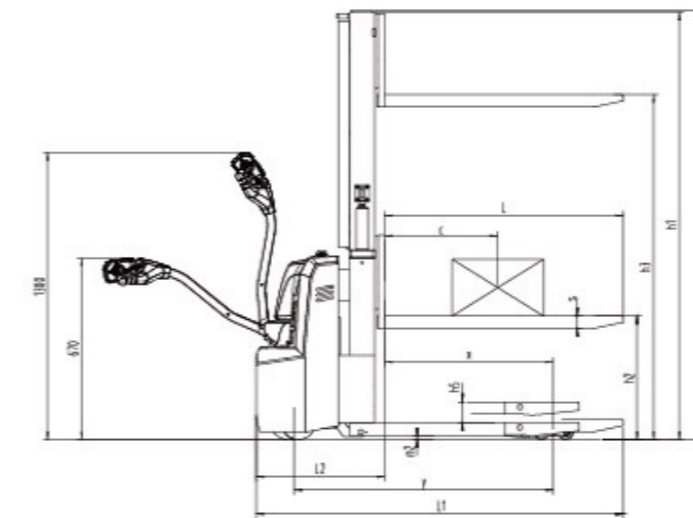
Compact design With very small turning radius, offer a range of application option in very confined space.



With double decker ,mast lift 1000kgs and support arm lift 1000kgs, total load is 1000kgs if use double pallet.

#### Manufacturer's Data and Technical Characteristics

Characteristics				HELI	
1.01	Manufacturer			HELI	
1.02	Model			CDD10RD-S	CDD12RD-S
1.03	Mast type			2-stage mast	
1.04	Load capacity	Q	kg	1000	1200
1.05	Load center distance	C	mm	600	
1.06	Driving mode			Walkie	
1.07	Front overhang	x	mm	812	
1.08	Wheel base	Y	mm	1272	
Tyre					
2.01	tyre type			Polyurethane	
2.02	Wheels number,Front/rear(X=driven wheels)			1x+1/4	
2.03	Track Width,front	b10	mm	523	
2.04	Track Width,rear	b11	mm	390	
2.05	Wheel size, front		mm	ø195x70	
2.06	Wheel size, rear		mm	ø80x70	
2.06	Wheel size, additional		mm	ø150x60	
Dimension					
3.01	Lift height	h3	mm	1600/1950	
3.02	Height, mast extended	h4	mm	2060/2410	
3.03	Height, mast lowered	h1	mm	2050/2400	
3.04	height,lowered	h13	mm	90	
3.05	Initial lift	h5	mm	120	
3.06	Fork size	s/e/l	mm	60/180/1070(1150)	
3.07	Overall length	l1	mm	1690/1770	
3.08	Length to face of forks	l2	mm	619	
3.09	Overall width	b1	mm	800	
3.10	Width across forks	b5	mm	570	
3.11	Turning radius	Wa	mm	1450	
3.12	Aisle width with pallet 800Wx1200L,clearance 200	Ast	mm	2224	
3.13	ground clearance	m2	mm	17~137	
Performance					
4.01	Travelling speed,laden/unladen		km/h	4.5/5	
4.02	Lifting speed,laden/unladen		m/s	0.11/0.14	
4.03	Lowering speed,laden/unladen		m/s	0.12/0.12	
4.04	Gradeability,laden/unladen		%	6/15	
Electrical configuration					
5.01	Drive moter power		kw	0.65	
5.02	Lifting moter power		kw	2.2	
5.03	Battery voltage		V	24	
5.04	Battery capacity		Ah	105(125)	
5.05	Battery dimensions l/w/h		mm	329x172x214	
5.06	Controller			CURTIS	
5.07	Brake			Electromagnetic	
Weight					
6.01	Total weight(with battery)		kg	640	685
6.02	Battery weight		kg	60.8	



**ANHUI HELI CO., LTD.**

Add / No.668, FangXing Road, Hefei, China  
Fax / +86-551-63639966

Tel / +86-551-63639068(America); 63639258(Europe);  
63639358(Asia); 63662105(Africa & Middle East);  
63639530(Key Accounts Division); 63662105(Wheel loader)